

desco drill rig

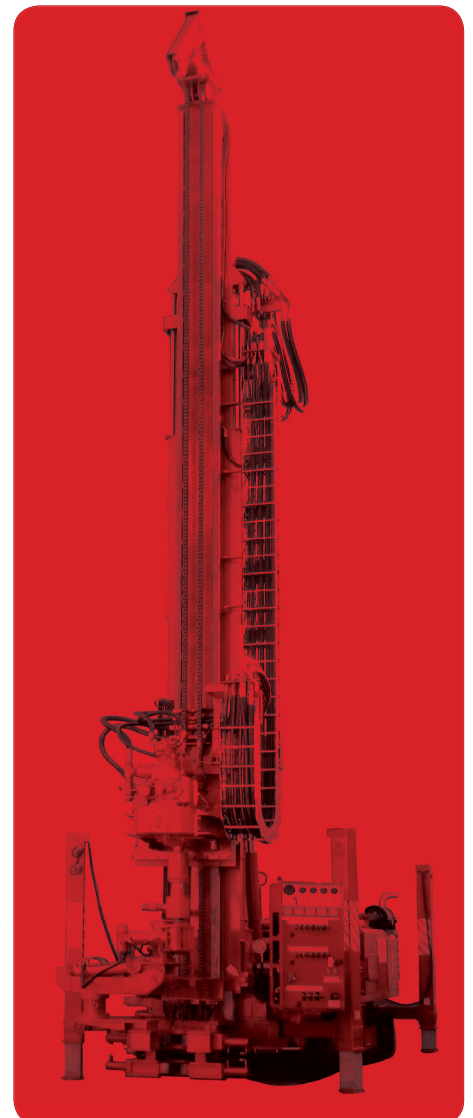
Desco Inc.(HQ/Manufacturer)
HEAD OFFICE: 1240-1, Ok-Dong, Gwangsan, Gwangju, Korea
TEL : 82.62.952.4564 / FAX : 82.62.953.1593

EXPORT DIVISION
2607 jidong, Lottecastle, 76, Soongin-Dong, Jongno-Gu, Seoul, Korea
TEL : 82-2-3670 6400 / FAX : 82-2-3670 6399
E-mail : desco@desco-inc.com



SP6500SA-RC

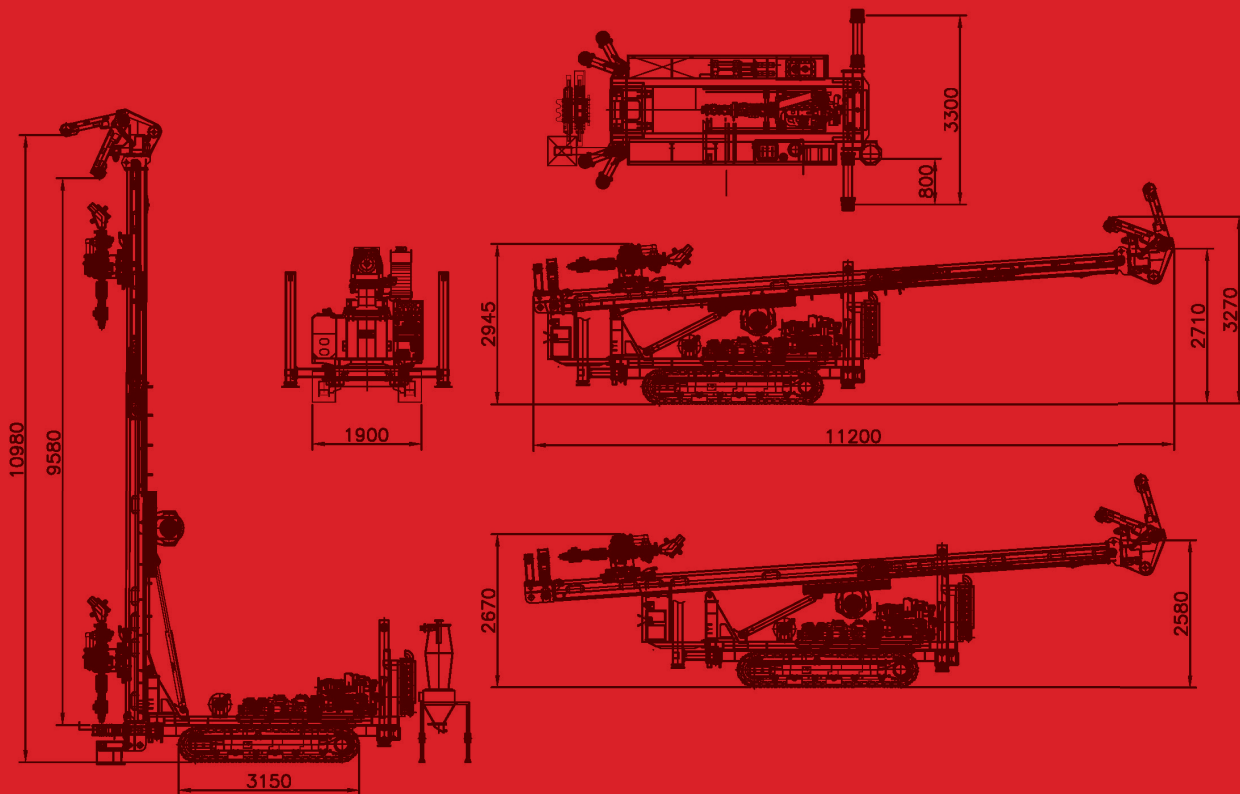
Multi-purpose Drilling Equipment



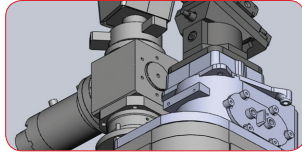
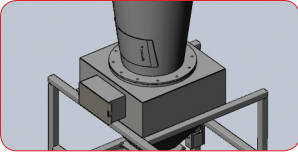
SP6500SA-RC (Most standard)

As one of the most standard drills upto RC 4" -350M, HQ-700M depth for exploration drilling (RC & Diamond), SP6500SA-RC surface coring drill is an advanced addition to the SP-SA-RC series featuring a telescopic and dump mast. SP6500SA-RC is capable multi-purpose of both reverse circulation & diamond coring as well as DTH, rotary drilling methods with pullback capacity of 16 ton and a torque can be increased. SP6500SA-RC can also include an advanced rod management system that ensures safe and efficient operation. The reverse circulation (RC) drilling method utilizes to collect rock samples quickly and efficiently. The high drilling speed and low cost of RC drilling makes it an ideal method for exploration project.

- * SP6500SA-RC for exploration RC & diamond drilling
- * Design for drilling up to RC - 350M & HQ - 400M
- * Multi-purpose (reverse circulation & diamond drilling methods)
- * Wireline system
- * Percussion & rotary drilling methods (Additional)
- * Vertical, Angle Drilling (45 degree - 90 degree) capability
- * Foot clamping system
- * All instrument & control levers are concentrated.
- * Mounted full package on drill rig
- * Self-loading system
- * Installed major hyd. Parts so easy to find spare parts in the market
- * Options - inverter, auto rod changer, pre-heating system, wireless remote control and so on



If you want the kind of drill rigs,
DESCO INC. is at your solution and service.



desco drill rig

TECHNICAL SPECIFICATION

Top head rotation

Rotation torque
Rotation speed
Rotation speed & torque can be controlled

Two speed motors

500kg.M (low) / 80kg.M (high)
0 ~ 100 rpm (low) / 0 ~ 1200 (high)

Feed System

Feed system type
Feed hydraulic cylinder
Feed stroke
Pull-back force
Down force

Variable Speed Hydraulic Cylinder
120mm*90mm*3500mm
7.0M (Drill Pipe - Max. 6.0M)
16ton
8ton

Dimension & Weight

Net weight
Width
Length (mast folded / unfolded)
Height (mast folded / unfolded)

11.5ton
2.2M
10.5M
2.6M

Engine

Engine model
Engine power
Cooling system
Fuel tank
Electrical system

Hyundai D6BT
175HP@1800rpm
Water
300 Liters
24V DC

Hydraulic system

General
Pump model
System hyd. oil flow
Hydraulic tank
Operating pressure

Single variable displacement pump, pressure & flow controlled
K3V112*2+28*2 (4 pumps)
390 LPM
300 Liters
280 Bar

Working table & hyd. clamp

Foot clamping system
Max. diameter
Hyd clamp

8"
8"

Outrigger (Self-loading system)

Four hyd. Jacks & outriggers - Front jacks & outriggers (swing 45°)
Ground clearance
Width

1430mm
3000mm

Crawler base

Doosan model (Steel)

Main hoist

Hoist type
Linepull capacity
Spool capacity
Wire line

VVariable speed planetary c/w brake
5 ton
12mm * 30M
Drum for 1000M * Dia 5mm (700kg)

Mud pump

Hydraulic cylinder operated duplex piston pump
Capacity
Max. pressure

300 LPM
40 bar

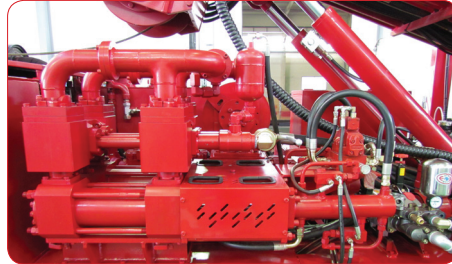
Cutting cyclone device

Discharge hose

Sample cyclone unit

ID 3" - 6M long flexible hose

If you want the kind of drill rigs, DESCO INC. is at your solution and service.



STANDARD / OPTIONAL

	STANDARD	OPTIONAL	OPTIONAL REQUEST
Drill head			
RC Drill head	DSDH-900FF		
Drill head - sliding	0		
Feed system			
Mast slide (dump up and down)	0		
Bolted mast foot	0		
Control panel	0		
Hydraulic system			
Auxiliary hydraulic ports		0	
Hydraulic breakout table			
Max. diameter	max. 8"	over 8"	
Single clamp		0	
Double clamp	0		
Crawler base			
Steel track	0		
Steel track with rubber pad		0	
Main hoist			
Main winch	max. 5ton	over 5ton	
Jib with winch		0	
Wireline	0		
Mud pump			
Capacity	300LPM		
Design for angle drilling	0		
Foot clamping system	0		
Cutting cyclone device	0		
Water injection pump		0	
Triplex mud pump		0	
Inverter (5.5kw / 100V ~ 220V)		0	
DTH oil lubricator		0	
Auto rod changer		0	
Preheating system		0	
Wireless remote travel		0	
Safety cage		0	

Notice As your optional list, engine, hyd. system, crawler and so on can be changed and design of drill rigs can be changed.

Specifications are general and subject to change without notice. Due to selected options, delivered equipment may not necessarily match that shown.

